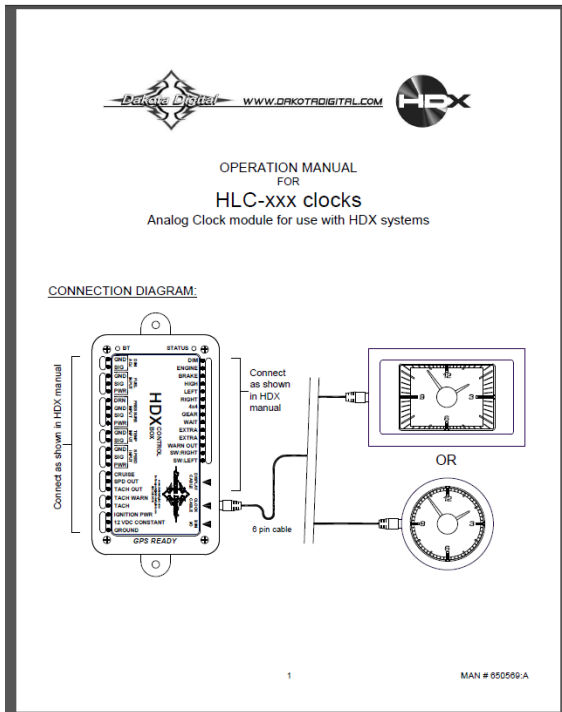




HLC-2162
 Dakota Digital Clock Installation
 2-1/16 Universal Clock

HLC-2162 Includes:

Installation Manual



HLC Clock



(2) Long L-Bracket



Harness

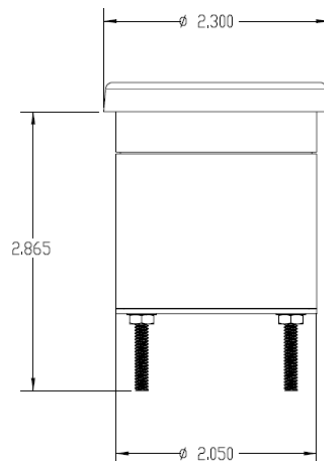


(2) Thumb Nuts



Installation

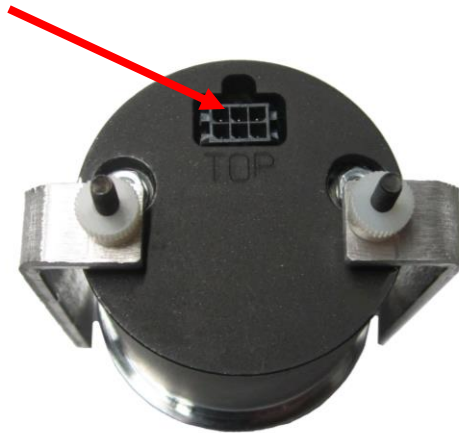
- Using the provided template or a hole saw, make an opening measuring 2.10" diameter for the clock in your desired mounting location. Ensure at least 3.20" of depth behind the gauge opening for adequate clearance.



2. Insert the HLC gauge into the opening, making sure it's aligned properly. Then, secure the gauge with the supplied L-brackets and thumb nuts.



3. Connect the main cable to the back of the clock.



4. Refer to the enclosed clock operating manual for these connections and clock setup.

⚠WARNING: This product can expose you to chemicals including lead, which is known to the State of California to cause cancer and birth defects or other reproductive harm. For more information go to www.P65Warnings.ca.gov



4510 W. 61st St. North
Sioux Falls, SD 57107
www.dakotadigital.com
dakotasupport@dakotadigital.com

Phone (605) 332-6513
Fax (605) 339-4106

© Copyright 2019 - Dakota Digital