



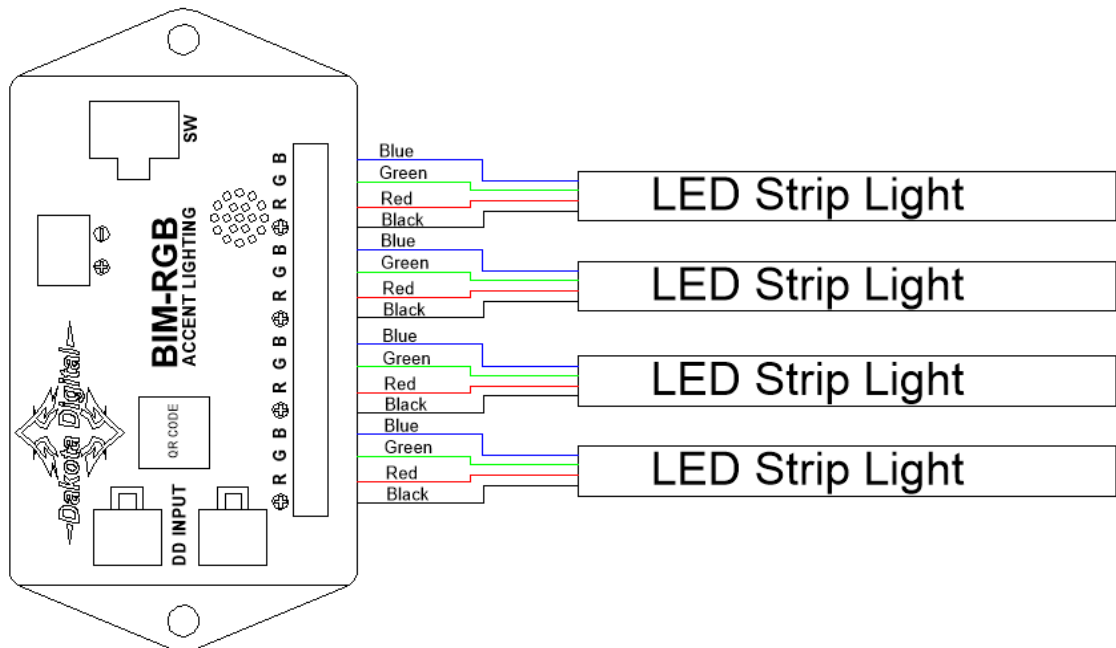
## LAS-RGB-06, LAS-RGB-12 and LAS-RGB-18 RGB LED Strips

### Description:

These are RGB LED strip lights to be used with the Dakota Digital BIM\_RGB. These are waterproof, +12V, common anode, RGB LED strip lights. Available in lengths of 6, 12 and 18 inches.

### Wiring Instructions

Each LED strip has 4 wires. The BIM-RGB has outputs for 4 LED strips. Each of the BIM-RGB outputs is grouped together with +, R, G and B connections. The Black wire on the LED strip connects to the + output on the BIM-RGB, the Red wire connects to the R output, the Green wire connects to the G output and the Blue wire connects to the B output.



### Technical Specs

- Supply Voltage +12V
- LED Type SMD 5050 LED chips
- Dimensions 1/2" Wide, 1/4" Thick and Available in 6, 12 and 18 Inch Lengths
- Lead Length 3 Feet
- LED Count 18 LEDs per Foot
- Max Current 0.452 Amps per Foot at 14.8V battery voltage
- Max Luminous Flux 450 Lumens per Foot
- Estimated Lifespan 50,000 hours
- Mounting Method mounting straps with #4 screws or adhesive caulk (not included).
- IP Rating IP68 Submersible
- Suitable Uses dry, damp or wet locations
- Standards/Certifications UL Listed, RoHS



4510 W. 61st St. North  
Sioux Falls, SD 57107  
www.dakotadigital.com  
dakotasupport@dakotadigital.com

Phone (605) 332-6513  
Fax (605) 339-4106

© Copyright 2023 - Dakota Digital